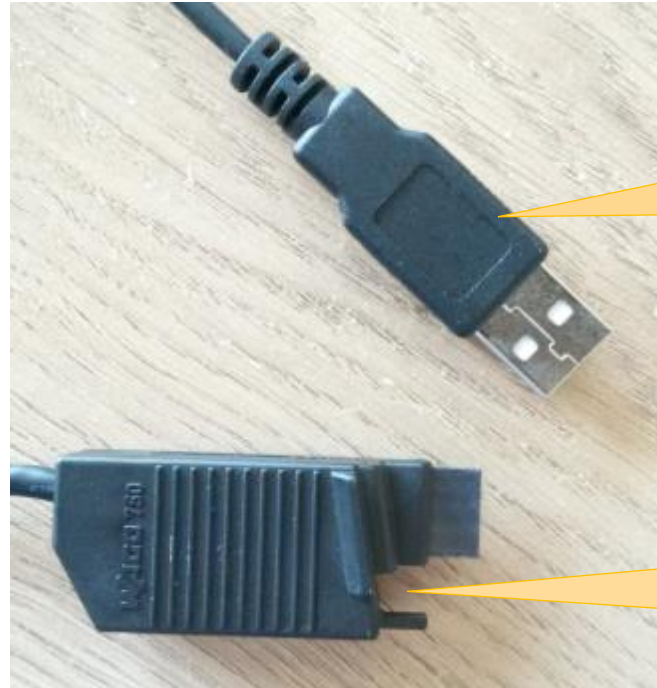


Wago USB communication cable 750-923

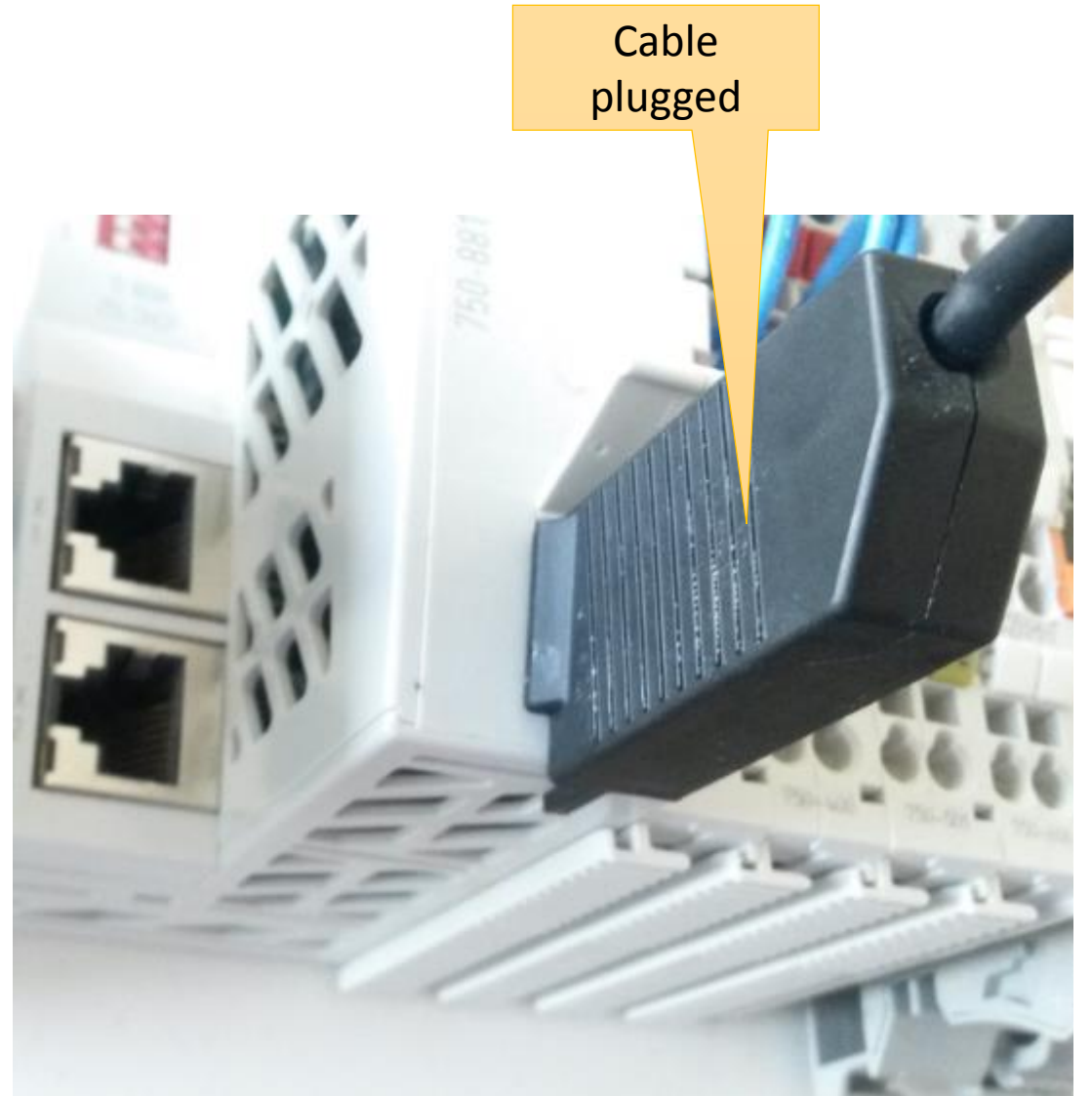
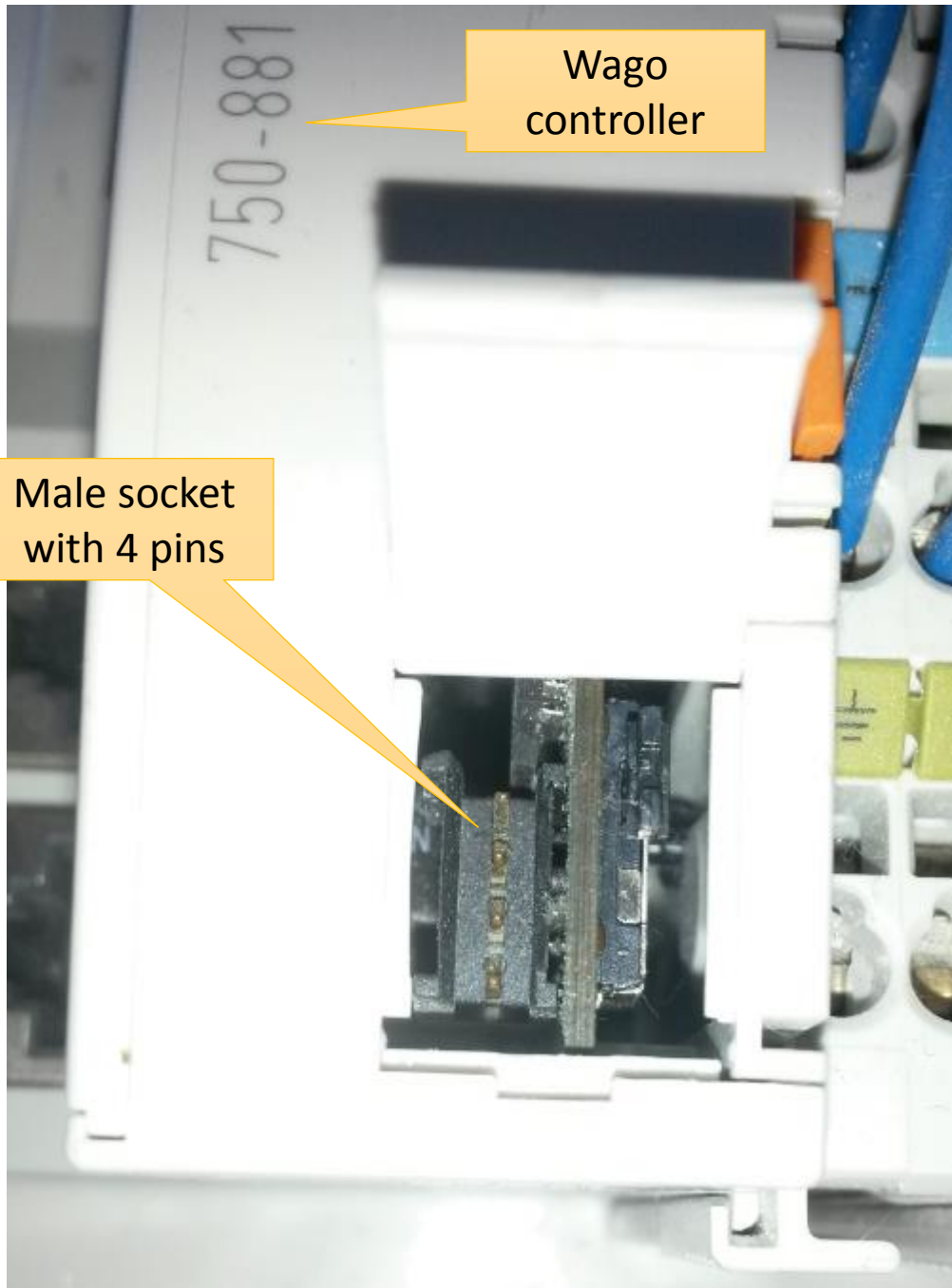
By mifrey

Wago USB communication cable 750-923

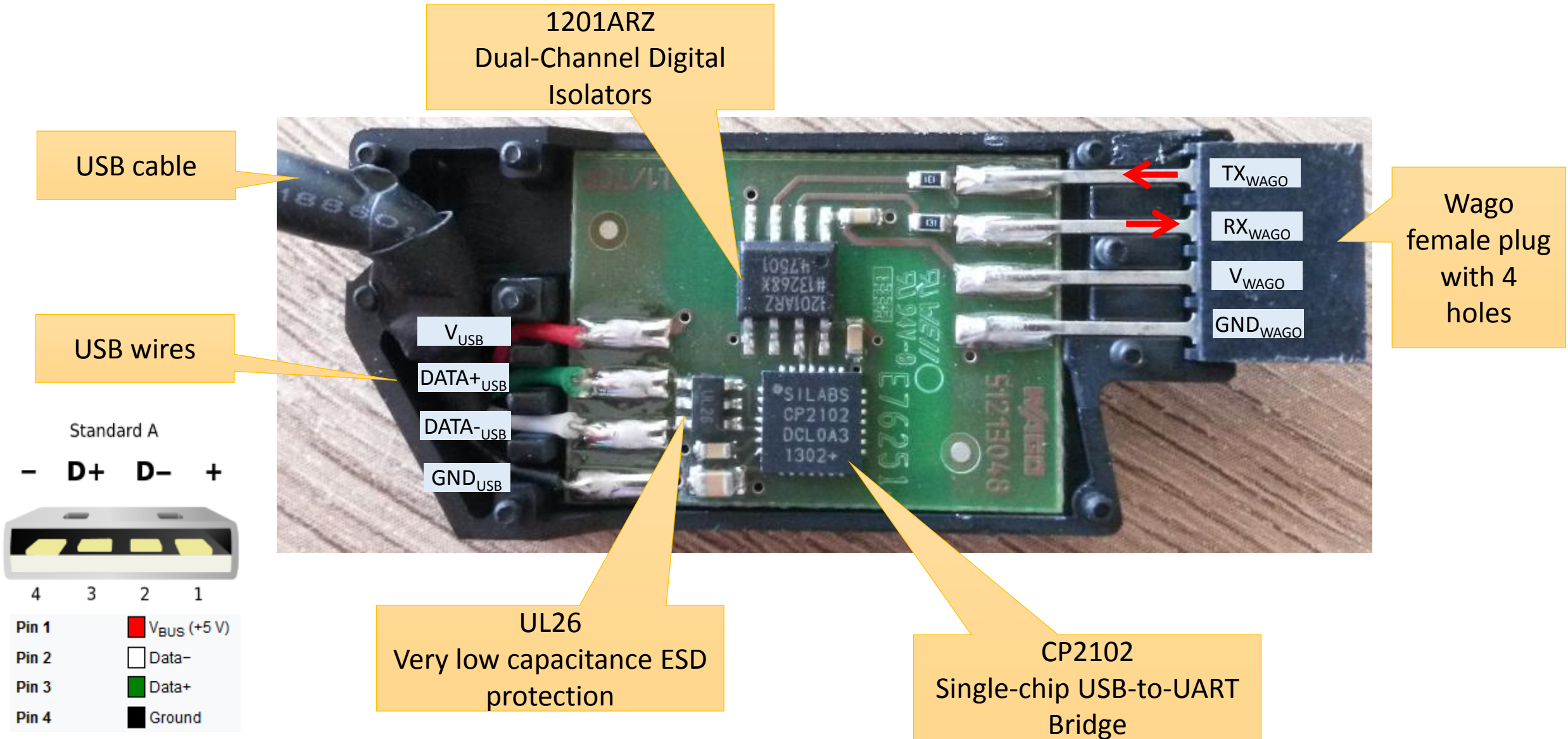


USB standard
connector (Type
A Plug)

Wago female
plug with 4 holes

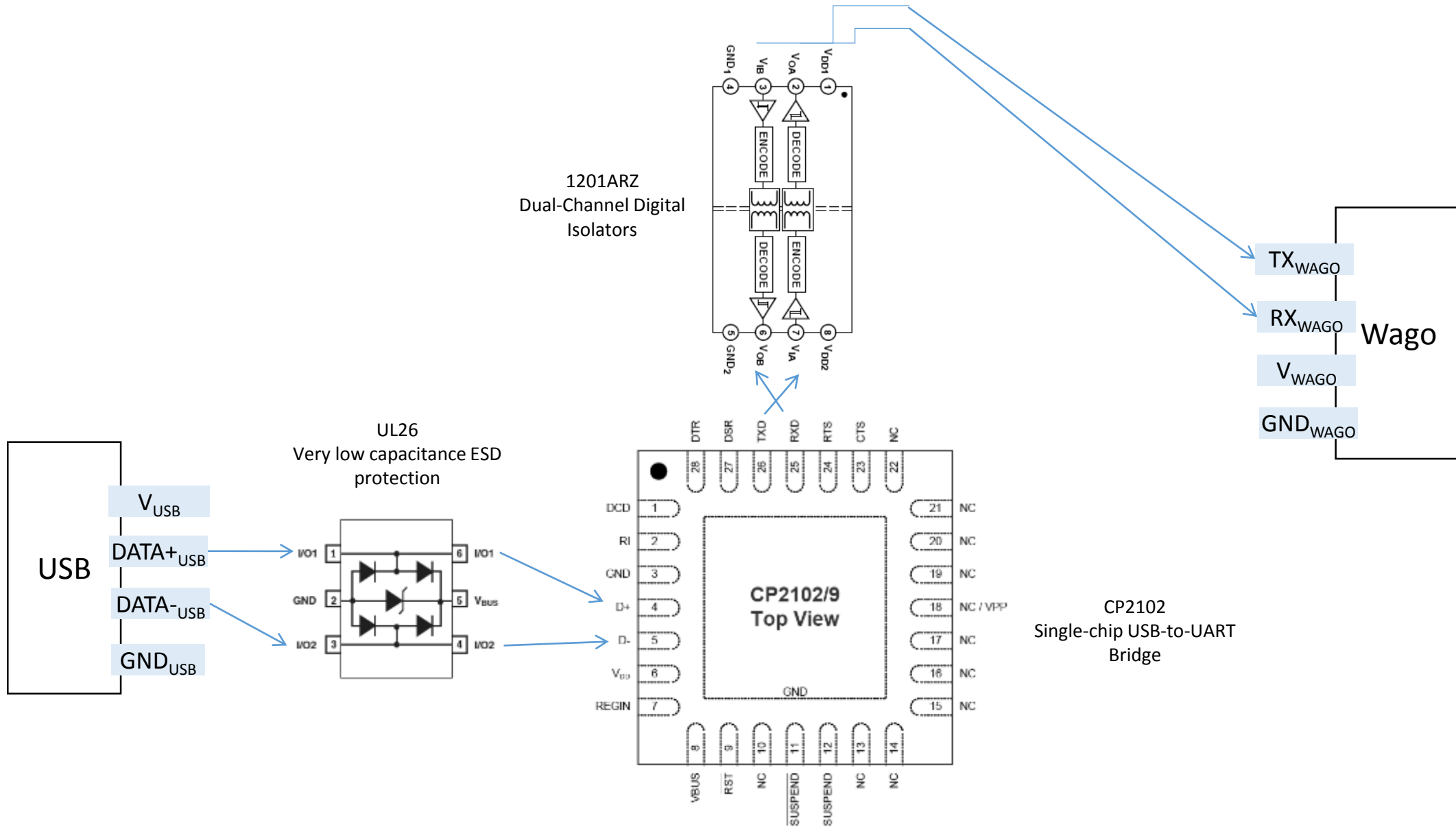


Wago USB communication cable 750-923 Dissection

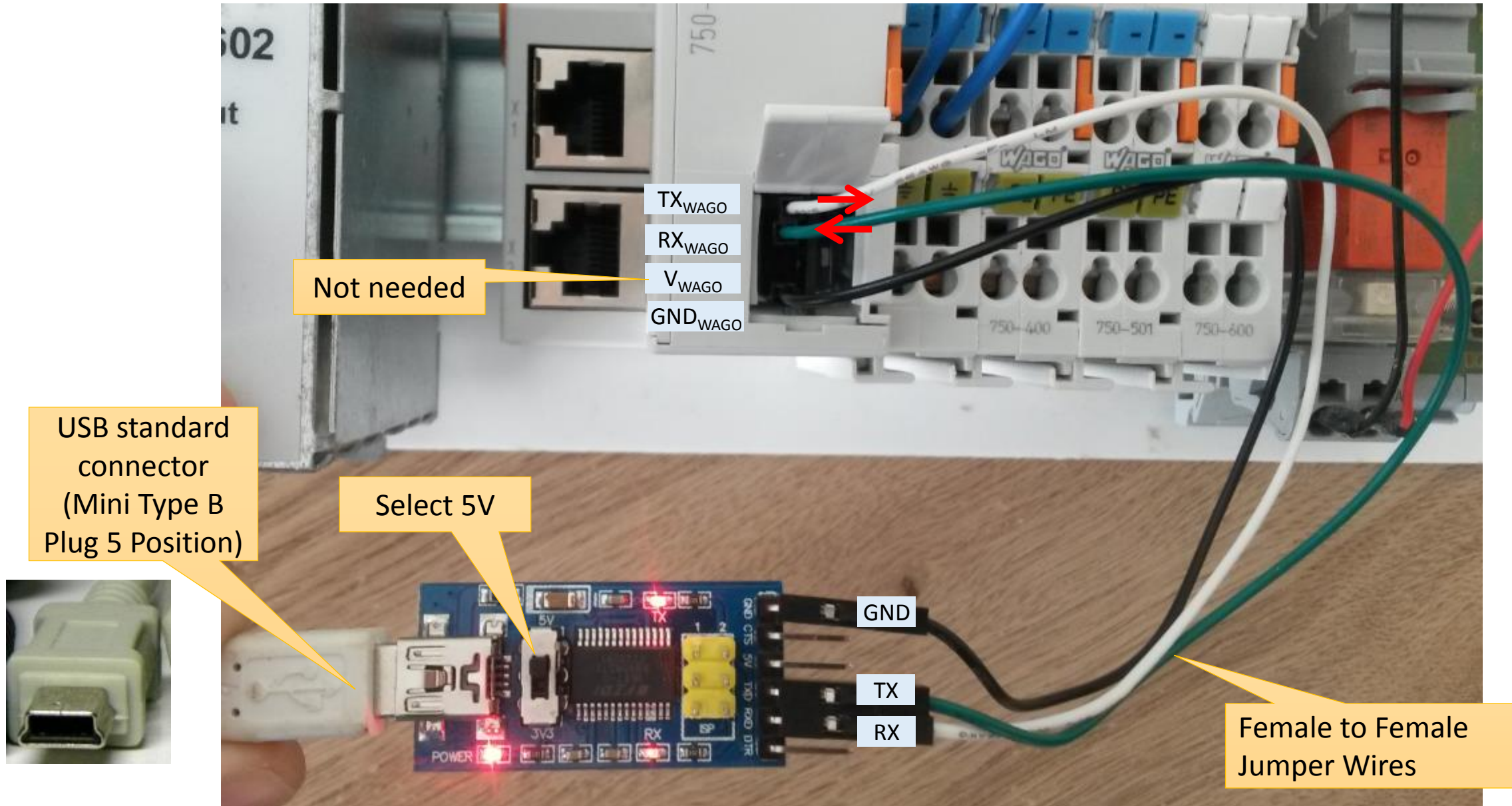


Wago USB communication cable 750-923

Basic diagram



The Wago USB communication cable is very expensive (40-100 EUR depending on the store). It can easily be replaced with a cheap USB-Serial converter (1-3 EUR).



Parts needed

1. USB-Serial converter: <https://www.aliexpress.com/item/FT232RL-FTDI-Basic-USB-to-serial-for-Arduino-pro-mini-download-cable-USB-TO-232-FT232/32714386919.html>
2. USB cable Type A Plug - Mini Type B Plug 5 Position
3. Female to Female Jumper Wires or a 4-pin connector